

Electric Vehicle Power Fuses

750VDC, 500A ~ 630A



Description 描述

Fast Acting fuse for EV/HEV 用于纯电动汽车和混合动力汽车的快速熔断器

750Vdc ideal for EV or HEV application 专为纯电动汽车和混合动力汽车设计的 750V 直流熔断器

Excellnt DC performance 卓越的直流分断能力

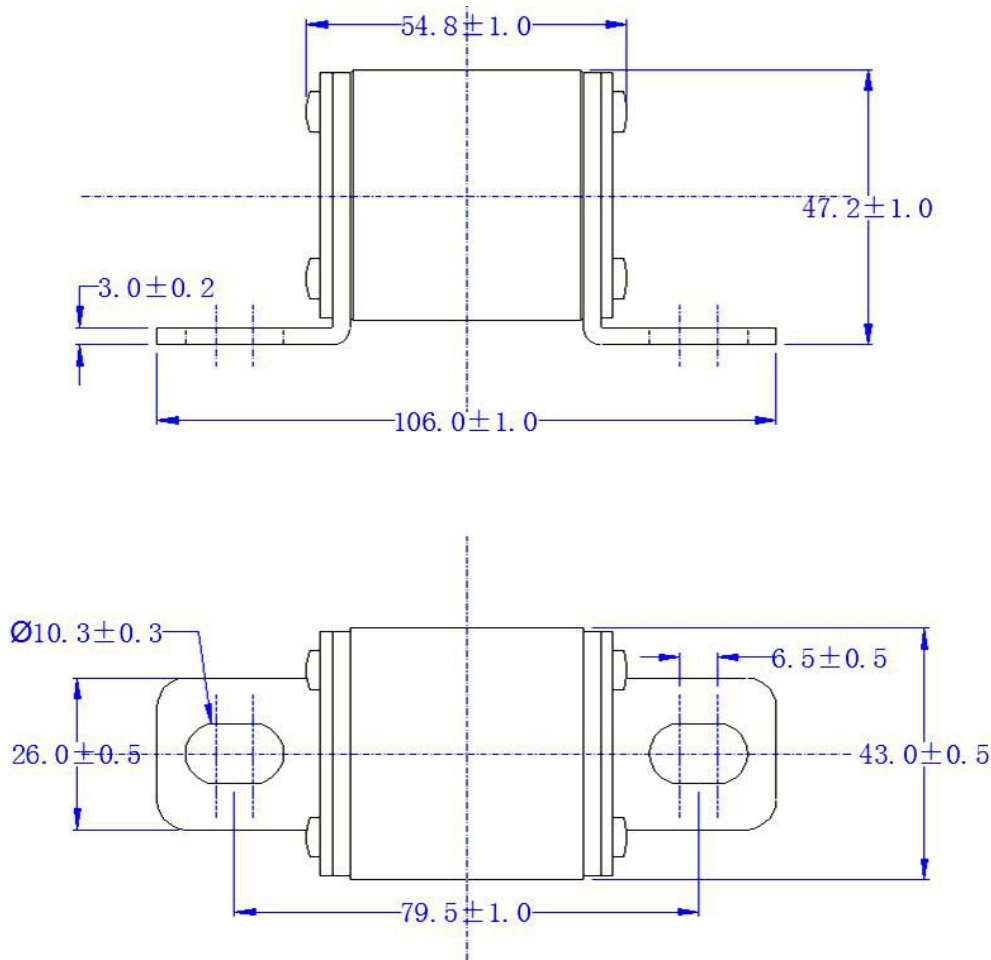
Specifications 电气特性

Ordering P/N 订购料号	Rated Current 额定电流 (A)	Rated Voltage 额定电压 (VDC)	Breaking Capacity 分断能力 (A)	0.5In Power loss 0.5 倍功耗 (W)
A4303-500 N	500	750	20000	<20
A4303-550 N	550			<23
A4303-630 N	630			<25

*Temperature Rise 温升: <50K with 50% of rated current 50%额定电流小于 50K

Dimension (mm)尺寸

Type: 单体/Single



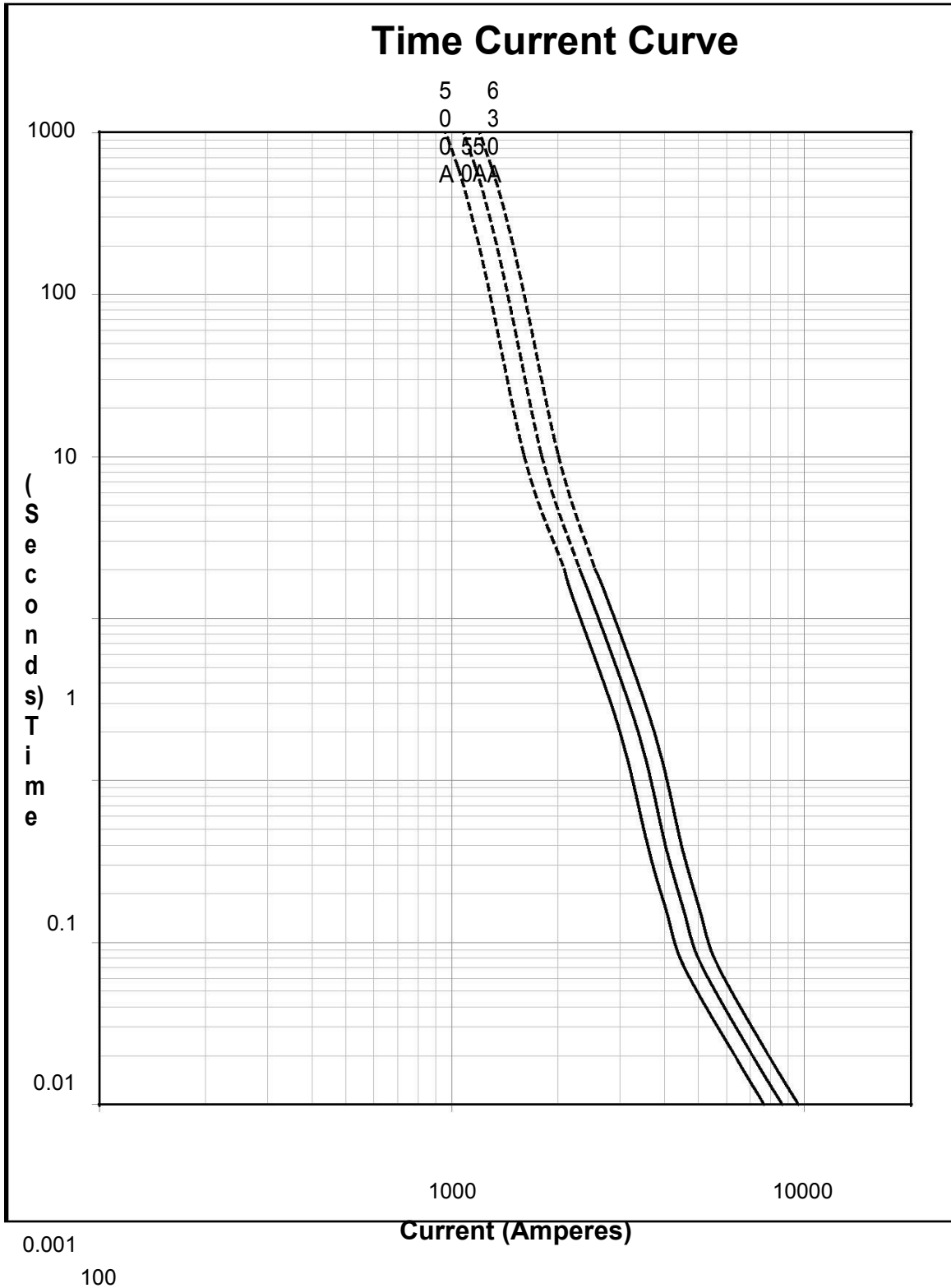
DC Fuse for EV/HEV

Electric Vehicle Power Fuses

750VDC, 500A ~ 630A



Time-Current Curve 时间电流曲线



DC Fuse for EV/HEV

Electric Vehicle Power Fuses

750VDC, 500A ~ 630A



Transportation and Storage 运输与储存

During transportation and storage, should avoid water seepage and mechanical damage 运输与储存期间,应避免雨雪侵蚀和机械损伤.

Conditions for operation in service 工作条件

Where the following conditions apply, fuses complying with this standard are deemed capable of operating satisfactorily without further qualification.

Normal temperature: -5°C to 40°C ;

The altitude of the site of installation of the fuses does not exceed 2000 m above sea level;

The air is clean and its relative humidity does not exceed 50 % at the maximum temperature of 40°C ; Higher relative humidities are permitted at lower temperatures, e.g. 90 % at 20°C ;

Under these conditions, moderate condensation may occasionally occur due to variation in temperature.

For operation condition other than above, please contact manufacturer.

在以下条件下使用,熔断器认为能正常工作,不需要进一步验证:

周围空气温度: -5°C to 40°C ; 安装地点的海拔不超过 2000 米;

空气是干净的,其相对湿度在最高温度为 40°C 时不超过 50%;在较低温度下可以有较高的相对湿度,例如,在 20°C 时,相对湿度可达 90%;在这些条件下,由于温度变化,可能偶然发生中等凝露.

如果使用条件超出以上范围,请咨询制造商以确认相应的折减计算.

Vibration 震动条件

Meet JASO D622:2006 Section 6.3.3 Vibration durability test requirement, can be use on Electrical Vehicle application;

符合 JASO D622:2006 章节 6.3.3 的震动测试要求,可用于一般电动汽车应用.

Temperature Re-Rating Curve 温度调额曲线

